

POLARIZING OPTECH BIOSTAR MICROSCOPE MODEL B5PT-POL(ICS)

STURDY ERGONOMIC STAND WITH 5-PLACES
REVOLVER NOSEPIECE, MICRO AND MACROMETRIC
MOVEMENTS CONTROLS WITH STOP AND TENSION
ADJUSTMENT.

30° INCLINED ROTATABLE TRINOCULAR HEAD WITH
0-100% PHOTO/VIDEO DEVIATION.
+/- 5MM DIOPTRIC ADJUSTMENT AND ADJUSTABLE
INTERPUPILLARY DISTANCE 55-75mm.

ROTATING ANALYZER WITH SLIDE GRADUATED SCALE
0-90°

ADJUSTABLE BERTRAND LENS
LAMDA AND LAMDA/4 CONDENSER

WIDE-FIELD EYEPIECES WF 10 X/18 WITH CRUCIBLE
RETICULE

STANDARD INFINITE OBJECTIVES:

PLP 4X /0.10 oo pol

PLP 10X/0.25 oo pol

PLP 20X/ 0.40 oo 0.17 pol

PLP 40X/ 0.65 oo 0.17 pol

ABBE CONDENSER AN 1.25/0.6 WITH APERTURE
DIAPHRAGM

ROTATING POLARIZER FILTER WITH STEPS 0°-90°-
180°-270°

STAGE DIAM.150mm DIV. 1°, 360° ROTATABLE AND
NONIUS DIV. 0,1°

HALOGEN ADJUSTABLE KOHLER LIGHTING SYSTEM 6V
30W WITH FIELD DIAPHRAGM

STANDARD EQUIPMENT:

HALOGEN LAMP 6V 30W

CRUCIBLE SPECIMEN FOR OBJECTIVE CENTERING

KEYS FOR OBJECTIVE CENTERING

DUST COVER

BLUE CONVERSION FILTER

FUSES 500 mA

INSTRUCTION MANUAL

OPTIONAL ACCESSORIES:

SPECIAL OBJECTIVES

REFLEX PHOTO ADAPTERS

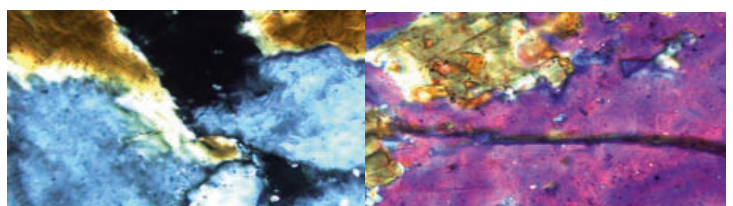
DIGITAL CAMERAS ADAPTERS

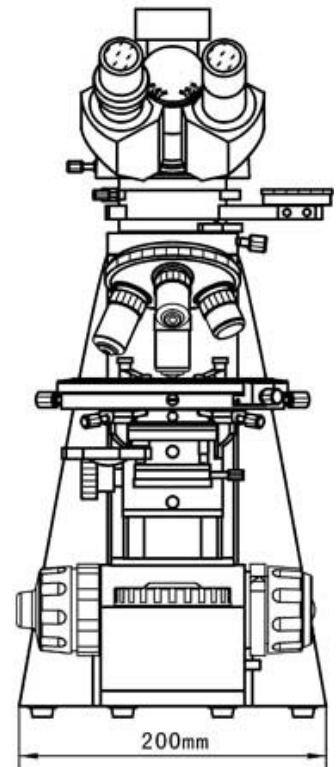
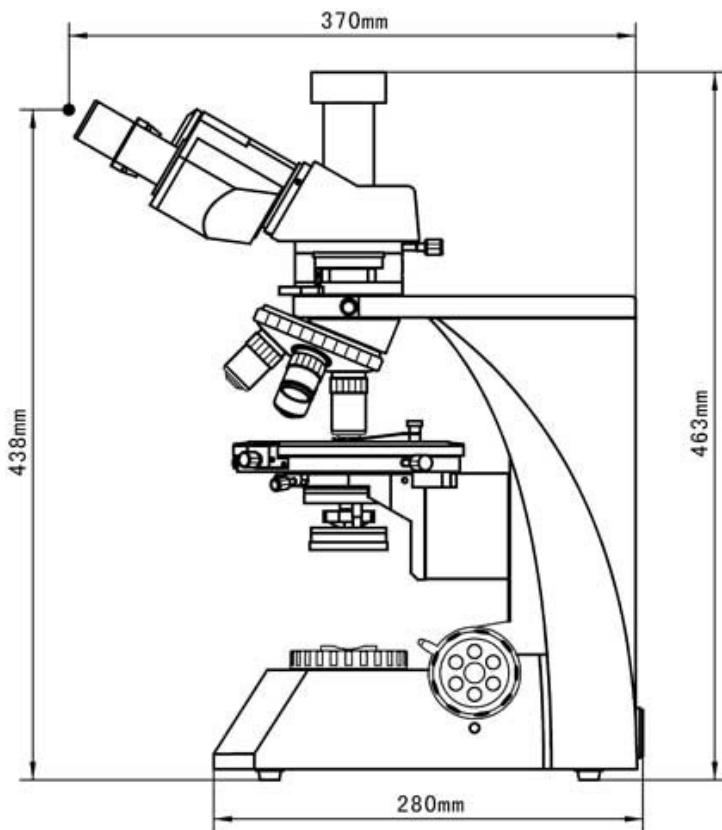
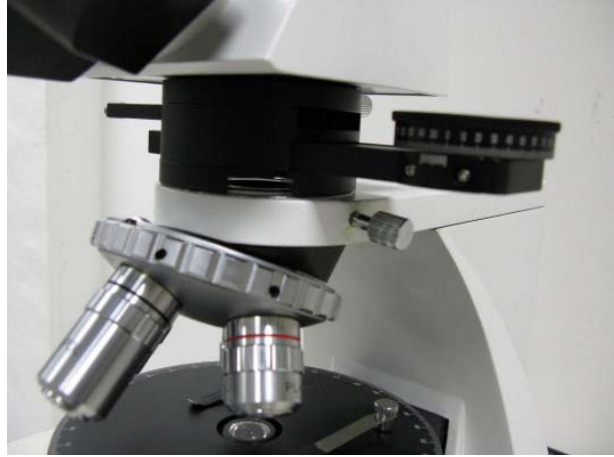
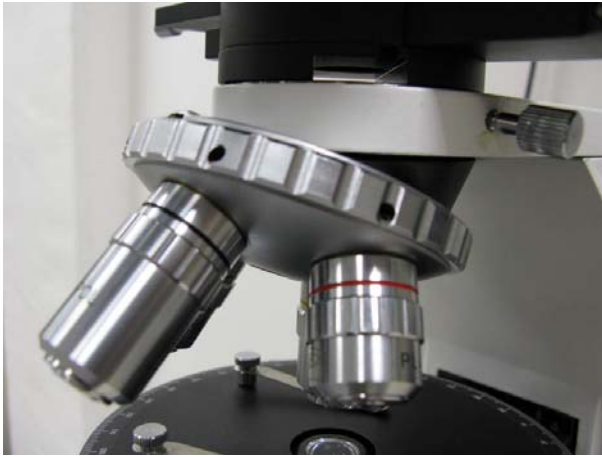
C-MOUNT ADAPTERS FOR VIDEOCAMERAS

SPECIMEN SLIDE

TRINOCULAR POLARIZING INFINITE OPTICS

MICROSCOPE CODE K71447





MICROSERCON,SLU; CIF: B-83691113
Urb.Rio Cofio C/Los Pinos 217 28294 – Robledo de Chavela (Madrid)
Tlf 918998029 / Fax 918998682 Dpto.Comercial 677590684 Dpto.Tecnico 678558460
E mail: microsercon@telefonica.net www.microsercon.com